

## LP425PCB

Broadband  
Directional Antenna

- 400MHz-3GHz

### Applications:

- Distributed Antenna Systems (DAS)
- Cellular
- WiFi
- Public Safety Bands

## Features

Model LP425PCB is a low profile directional antenna designed for transmitting and receiving wireless communications signals. The broadband characteristics of the enclosed antenna structure enable it to operate over a very wide frequency range with constant gain. Innovative design and manufacturing techniques result in long-lasting strength and performance.

The antenna is etched onto a low-loss microwave substrate material and mounted in a weather-resistant housing that is only 1/2" thick. There are four mounting holes for installation onto any flat non-conductive surface, such as an office wall or ceiling. Contact the factory for information on mounting to concrete or other surfaces.



## Specifications

**FREQUENCY RANGE:** 400MHz-3GHz

**GAIN:** 5.5 dBi typical

**BEAMWIDTH:** See figure at right

**IMPEDANCE:** 50 ohms nominal

**VSWR:** < 2:1

**CONNECTOR:** Type N female

**POLARIZATION:** Linear

**INPUT POWER:** 25 watts CW

**SIZE (L x W x H):** 39.4 x 29.2 x 1.27 cm, 15.5 x 11.5 x .5 in

**PIGTAIL LENGTH:** 8 in

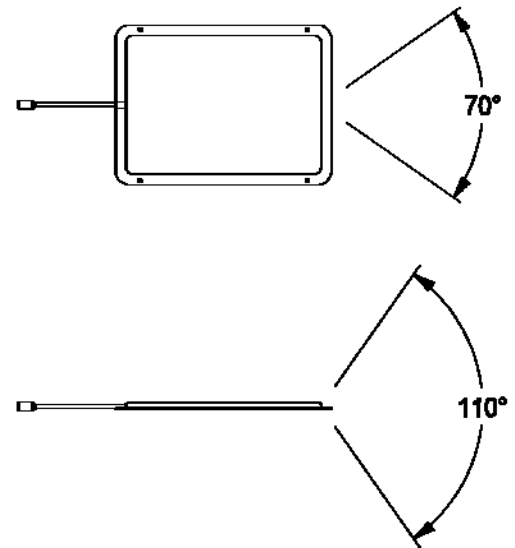
**WEIGHT:** 2 lbs. (0.7 kg)

**COVER:** UL94VO rated

**STANDARD COLOR:** Polar White

### OPTIONS:

- Custom pigtail length
- Mounting brackets
- 7-16 DIN, 4.3-10 connectors
- PIM rated option
- Individual PIM testing
- Protective tray and cover



Typical Beamwidth

SunAR RF Motion  
6780 Sierra Court,  
Suite R  
Dublin, CA 94568  
925-833-9936  
www.SunARrfmotion.com

# LP425PCB

Broadband  
Directional Antenna

- 400MHz-3GHz

## Options

### Protective Tray and Cover Option

A mounting tray and cover are available for installations where extra protection of the antenna is required. The tray and cover are made from high impact strength polycarbonate. The antenna is pre-installed in the tray, with DIN connector accessible for external connection.

Protective Cover shown below, outside view left, with antenna installed, right. Dimensions of tray and flat cover are shown below.

