

## LP460PCB

### Broadband Directional Antenna

- 400MHz-6GHz

#### Applications:

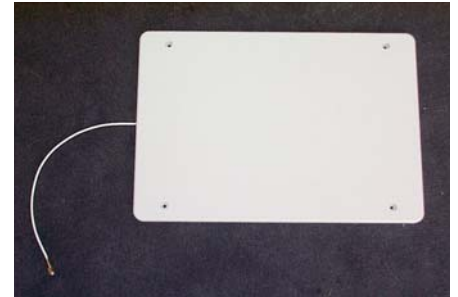
- Distributed Antenna Systems (DAS)
- Cellular
- WiFi
- Public safety bands

## Features

Model LP460PCB is a low profile directional antenna designed for transmitting and receiving wireless communications signals. The broadband characteristics of the log-periodic structure enable it to operate over a very wide frequency range with constant gain. Innovative design and manufacturing techniques result in long-lasting strength and performance.

The antenna is etched onto a low-loss microwave substrate material. Dielectric and reactive loading of the antenna elements reduces the overall size of the structure.

The antenna is mounted in a protective housing that is only 1 cm thick. There are four mounting holes for installation onto any flat non-conductive surface, such as an office wall or



ceiling. The pigtail cable is designed to stay "out of sight" for hollow wall mounting applications. Plugs for the mounting holes and a neutral color let the antenna blend into any indoor environment.

## Specifications

**FREQUENCY RANGE:** 400MHz-6GHz

**GAIN:** 5-6 dBi typical

**IMPEDANCE:** 50 ohms nominal

**VSWR:** < 2:1

**CONNECTOR:** Type N female

**PIGTAIL:** RG-316

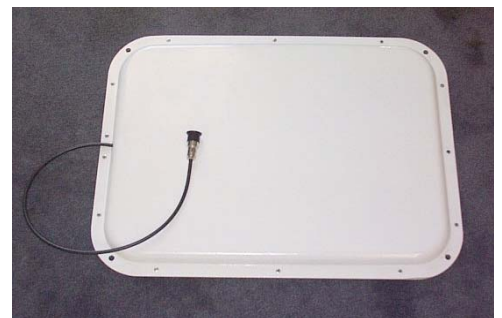
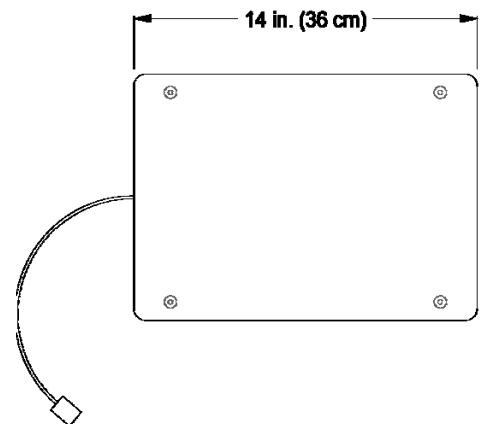
**POLARIZATION:** Linear

**INPUT POWER:** 25 watts CW

**SIZE (L x W x H):** 36 x 25 x 1 cm, 14 x 10 x .375 in

**WEIGHT:** 1.5 lbs. (0.7 kg)

**COVER:** UL94VO rated Kydex



SunAR RF Motion  
6780 Sierra Court,  
Suite R  
Dublin, CA 94568  
925-833-9936  
www.SunARrfmotion.com

