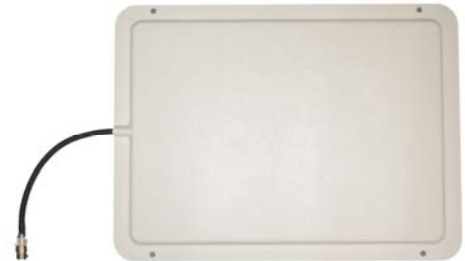


LP425PCB-O-DIN
Broadband
Directional Antenna
• 400MHz-3GHz

Features

Model LP425PCB-O-DIN is a low profile directional antenna designed for transmitting and receiving wireless communications signals. The broadband characteristics of the enclosed antenna structure enable it to operate over a very wide frequency range with constant gain. Innovative design and manufacturing techniques result in long-lasting strength and performance. -O for outdoor rated.

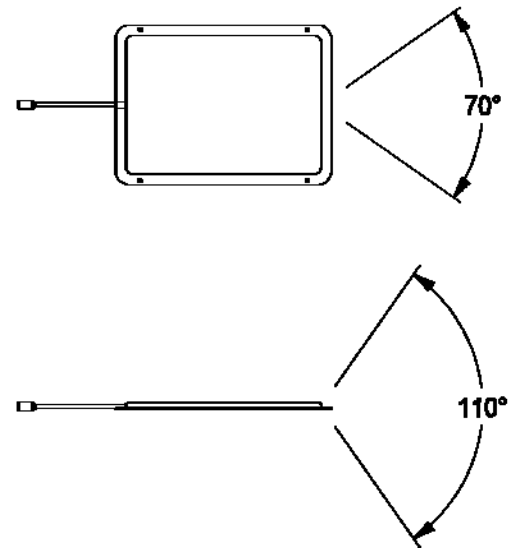
The antenna is etched onto a low-loss microwave substrate material and mounted in a weather-resistant housing that is only 1/2" thick. There are four mounting holes for installation onto any flat non-conductive surface, such as an office wall or ceiling. Contact the factory for information on mounting to concrete or other surfaces.



Model LP425PCB-O-DIN

Specifications

- FREQUENCY RANGE:** 400MHz-3GHz
- GAIN:** 5.5 dBi typical
- BEAMWIDTH:** See figure at right
- IMPEDANCE:** 50 ohms nominal
- VSWR:** < 2:1
- CONNECTOR:** DIN female
- POLARIZATION:** Linear
- INPUT POWER:** 25 watts CW
- SIZE (L x W x H):** 39.4 x 29.2 x 1.27 cm, 15.5 x 11.5 x .5 in
- PIGTAIL LENGTH:** 8 in
- WEIGHT:** 2 lbs. (0.7 kg)
- COVER:** UL94VO rated
- STANDARD COLOR:** Polar White
- OPTIONS:**
 - Custom pigtail length
 - Custom covers and colors
 - Mounting brackets



Typical Beamwidth

SunAR RF Motion
6780 Sierra Court,
Suite R
Dublin, CA 94568
925-833-9936
www.SunARrfmotion.com

